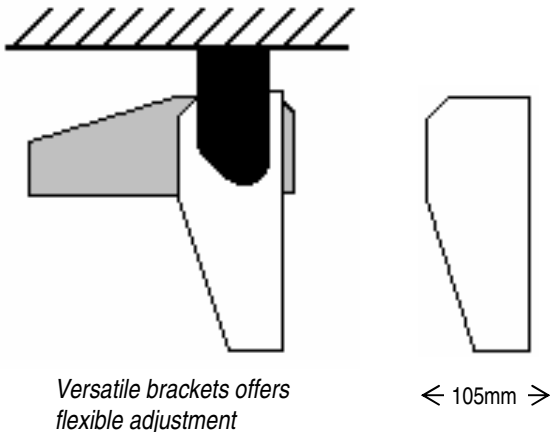
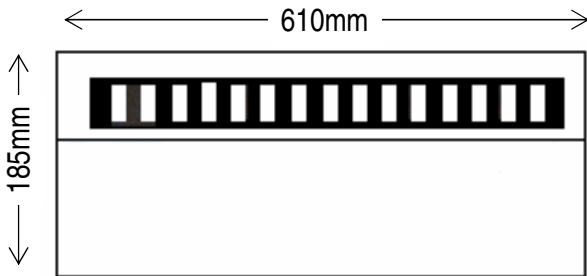


# TECHNICAL DATA

## SUPREME SUNSCREEN AIR CURTAIN

Wall Mounted Down Flow Fan Heater

- Model RGRS1, 3kW
- Model RGRS3, 4.5kW



## MODEL RGRS1/RGRS3

<b>Rating</b>	RS1: 3kW @ 240V ac RS3: 4.5kW @ 240V ac
<b>Recommended Fuse</b>	13amps
<b>Heat Settings</b>	RS1: 1.5, 3kW & cold RS3: 2.25, 4.5kW & cold
<b>Motor</b>	shaded pole with tangential fan
<b>Element</b>	open coil on ceramic insulators with thermal cut out
<b>Dimensions</b>	185mm high x 610mm wide x 105mm deep
<b>Weight</b>	4.5kg approx
<b>Colour</b>	grey
<b>Warranty</b>	12 months

### FEATURES

- Can be used as a high level wall heater or as air curtain over a door.
- Can be mounted directly to the wall or mounting brackets, supplied, giving flexible angle adjustment.
- Cold setting can be used as a dust barrier in summer.



SUPREME PRODUCTS LIMITED

PO Box 437, Cambridge 3450, New Zealand

Tel: +64 7 823 5790 | Fax: +64 7 823 5792

Email: [supreme@supreme.co.nz](mailto:supreme@supreme.co.nz) | Web: [www.supreme.co.nz](http://www.supreme.co.nz)